

EASY@WEIGHT

innovating in the
packaging industry



SRL
magic
robotica 

EASY@WEIGHT

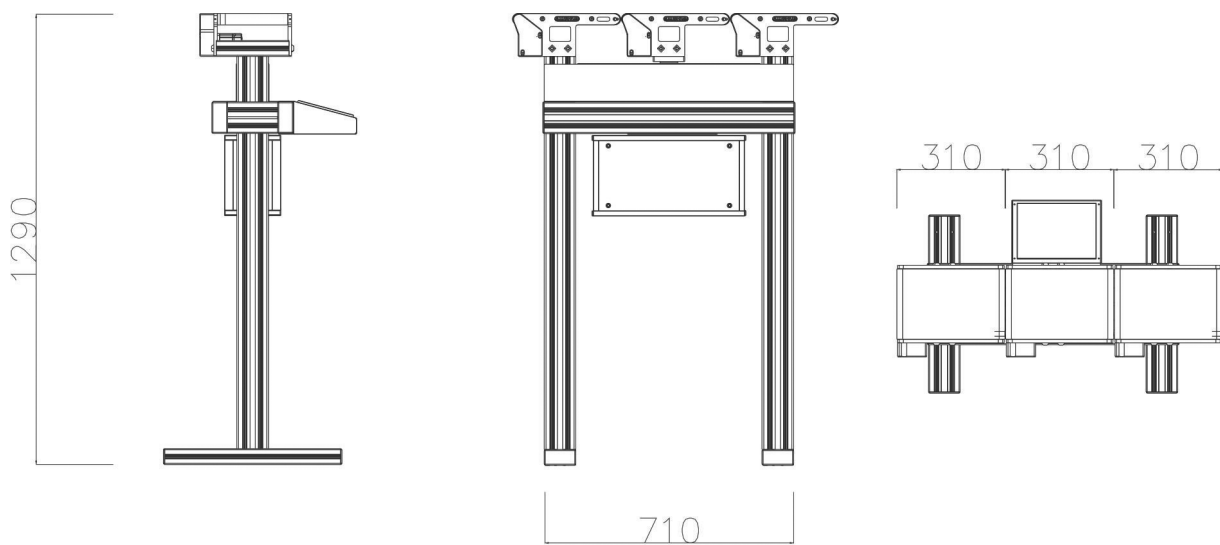
EASY@WEIGHT Dynamic Scale.

MACHINE CHARACTERISTICS:

- ENTRANCE CONVEYOR
- WEIGHING BELT
- EXIT BELT
- DISCARD FOR CONTAINERS OUT OF RANGE
- MANUALLY ADJUSTABLE FEET IN HEIGHT +/- 100 mm
- MINIMUM WEIGHT 5 g
- MAXIMUM WEIGHT 3 Kg
- RESOLUTION 0,5 g
- SPEED REGULATION OF THE THREE BELTS
- 7" COLOUR TOUCH DISPLAY

TECHNICAL DATA

ELECTRICAL CONSUMPTION	380 VAC- 50/60 Hz
PRODUCTION	Up to 10000 bph
DIMENSIONS	See layout



innovating in the **packaging** industry

MAGIC ROBOTICA SRL

Via Puecher 24 - 20842 Besana in Brianza (MB) - Italy
Tel. +39 039 2301096 Fax +39 039 2301017
www.magicmp.it customercare@magicmp.it

SRL
magic
robotica 