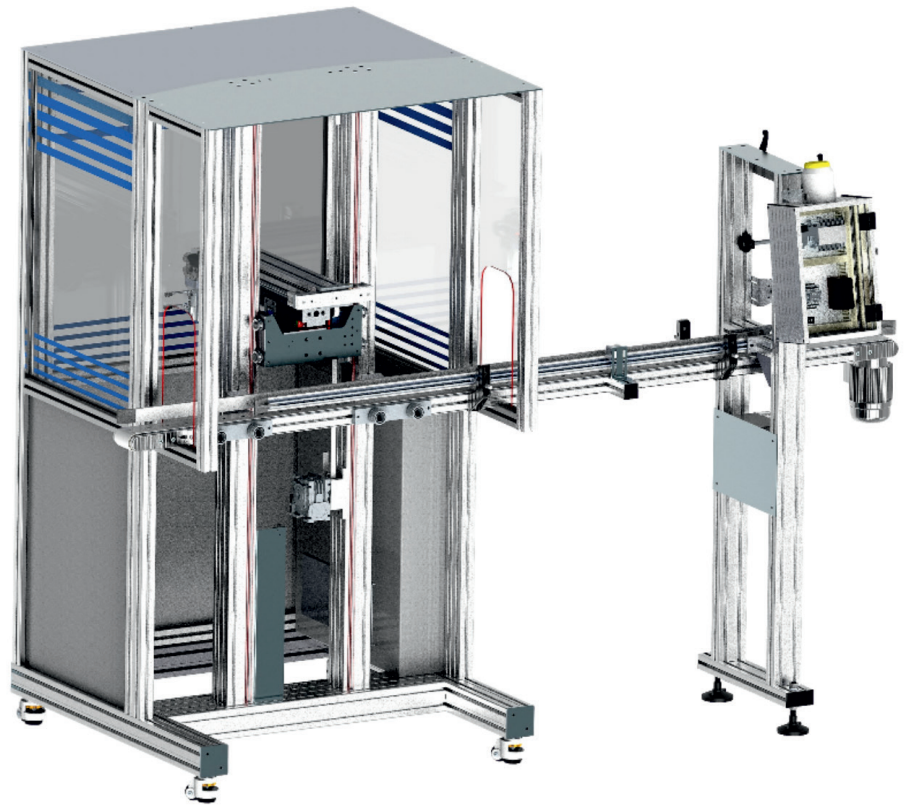


EASY@TAKEOUT

COMBO

innovating in the
packaging industry



SRL
magic
robotica 



EASY@TAKEOUT COMBO

The EASY@TAKEOUT-COMBO is a take out system for all ISBM machine Brands.

MACHINE CHARACTERISTICS:

- ▶ Easy and fast format change
- ▶ 7" HMI color panel
- ▶ Simple Blow-molding Interface
- ▶ Servo Drive powered
- ▶ Integrated Inverter for Bottles conveyor
- ▶ Pneumatic-Mechanical gripper (no suction caps)

LEAKING TEST:

- ▶ Automatic calibration and leakage level allowed
- ▶ Programming by touchscreen of the working parameters: test time, rejection time, type of bottle, maximum level of leakage allowed, etc.
- ▶ Indication on display of the production data, number of good and bad parts, level of leaks in each test and maximum allowed
- ▶ Alarm pilot if several defective bottles are found
- ▶ Sensitivity 0,2 mbar (1 liter pores 0,1 mm)
- ▶ Pneumatic control and test equipment.

Set of 1 headstock composed of:

- ▶ Mobile arm with cylinder
- ▶ Leak and micro-leak detection headstock.

Rejection unit to install on conveyor:

- ▶ Installed power: 100 W
- ▶ Electrical power 220 VAC, 50 Hz
- ▶ Air supply: 6-8 Kg / cm²

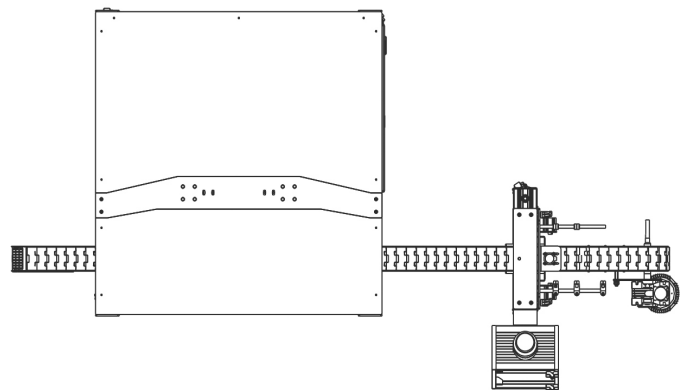
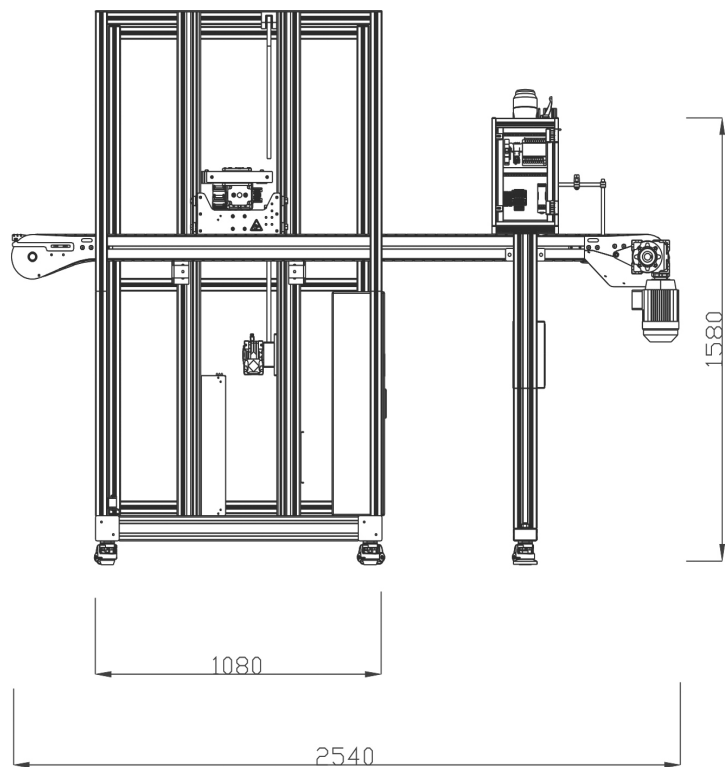
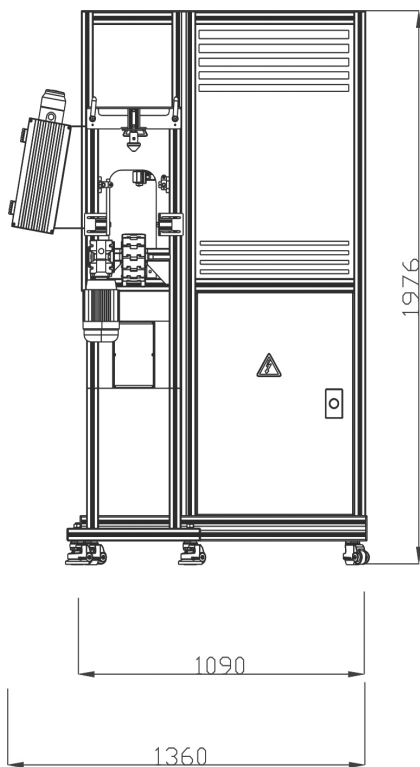
TECHNICAL DATA

POWER	3 x 400 V, 50 Hz, 1 Kw
DIMENSIONS	See layout
AIR PRESSURE	5-7 Bar



EASY@TAKEOUT COMBO

The EASY@TAKEOUT-COMBO is a take out system for all ISBM machine Brands.



innovating in the **packaging** industry



innovating in the **packaging** industry

MAGIC ROBOTICA SRL

Via Puecher 24 - 20842 Besana in Brianza (MB) - Italy
Tel. +39 039 2301096 Fax +39 039 2301017
www.magicmp.it customer-care@magicmp.it

